



***southwiretools.com***



**1-855-SW-TOOLS**  
Toll Free Technical Help

Product distributed by  
Southwire Company, LLC.  
One Southwire Drive, Carrollton, GA 30119

© 2019 Southwire Company, LLC.  
All rights reserved.

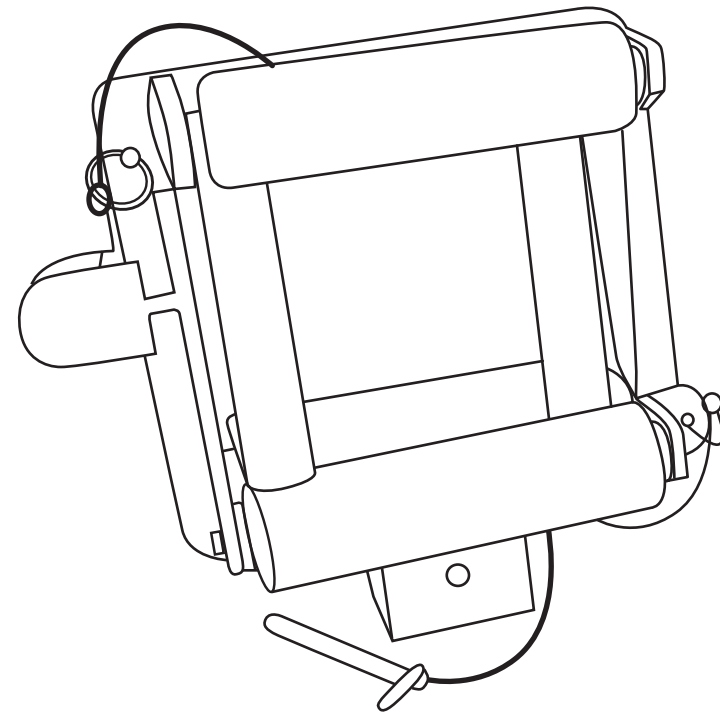
02/19  
(HB1A-9) Manual



**Southwire**<sup>™</sup>

TOOLS & EQUIPMENT

**OPERATING INSTRUCTIONS  
UNIVERSAL CABLE TRAY ROLLER  
(HB1A-9)**



**READ AND UNDERSTAND ALL INSTRUCTIONS  
AND SAFETY INFORMATION IN THIS MANUAL  
BEFORE OPERATING OR SERVICING THIS TOOL**



## TABLE OF CONTENTS

Important Safety Information.....	2-4
Description of Operation.....	5
Identification.....	6
Setup and Operation.....	6-8
Inspection.....	8
Specifications.....	9-10
Warranty.....	11-12

## SAFETY FIRST

---

Safety is essential in the use and maintenance of Southwire Contractor Equipment. This instruction manual and any markings on the tool provide information for avoiding hazards and unsafe practices related to the use of this tool. Observe all the safety information provided.

## SAFETY ALERT SYMBOLS

---

**These symbols** are used to call attention to hazards or unsafe practices related that could result in injury or property damage. The three safety words defined below indicate the severity of the hazard. The message after the signal word provides information for preventing or avoiding the hazard.



**DANGER** - Immediate hazards that if not avoided **WILL** result in severe injury or death



**WARNING** - Hazards that if not avoided **COULD** result in severe injury or death



**CAUTION** - Hazards or unsafe practices that, if not avoided **MAY** result in severe injury or death

**IMPORTANT SAFETY INFORMATION**

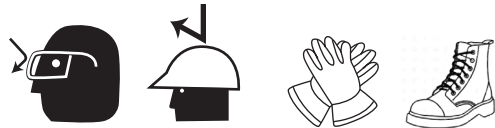
**⚠ WARNING**



- Read and understand all instructions and safety information in this manual before operating or servicing this tool.

**FAILURE TO OBSERVE THESE WARNINGS COULD RESULT IN SEVERE INJURY OR DEATH.**

**⚠ WARNING: Personal Safety Hazards**



- Only qualified persons should use the HB1A-9 Universal Cable Tray Roller.
- Wear eye protection, hard hat, cut resistant gloves and safety toe shoes when using this tool.
- Do not use tool when tired or under the influence of drugs, alcohol, or medication.
- Keep body parts and loose clothing away from moving parts.
- Always follow safety procedures as shown in this manual.

**FAILURE TO OBSERVE THESE WARNINGS COULD RESULT IN SEVERE INJURY OR DEATH.**

**⚠ DANGER: Electrical Shock Hazards**



- This is not an insulated tool, contact with live circuits will result in severe injury or death.

**FAILURE TO OBSERVE THESE WARNINGS WILL RESULT IN SEVERE INJURY OR DEATH.**

**IMPORTANT SAFETY INFORMATION**

**⚠ WARNING: Entanglement Hazard**

- Do not operate this tool while wearing loose fitting clothing. Retain long hair.

**FAILURE TO OBSERVE THESE WARNINGS COULD RESULT IN SEVERE INJURY OR DEATH.**

**⚠ WARNING: Tool Use Hazards**

- Use this tool for the manufacturer's intended purpose only. Use other than that described in this manual could result in injury or property damage.
- Only qualified personnel should use the HB1A-9 Universal Cable Tray Roller.

**FAILURE TO OBSERVE THESE CAUTIONS COULD RESULT IN INJURY OR PROPERTY DAMAGE.**

**⚠ CAUTION**

- Read and understand all the instructions and safety information in this manual before operating or servicing this tool.

**FAILURE TO OBSERVE THESE CAUTIONS COULD RESULT IN INJURY OR PROPERTY DAMAGE.**

**⚠ CAUTION**

- Do not use if any parts are damaged as this can cause an unsafe condition and lead to tool malfunction or failure.
- If tool is in disrepair, **DO NOT USE**. Have tool inspected and repaired prior to use.

**FAILURE TO OBSERVE THESE CAUTIONS COULD RESULT IN INJURY OR PROPERTY DAMAGE.**

## PURPOSE OF THIS MANUAL

This manual is intended to familiarize all personnel with the safe installation and operation of the following Southwire Tools and Equipment: HB1A-9 Universal Cable Tray Roller. Keep this manual available to all personnel. Replacement manuals are available upon request at no charge at [www.southwiretools.com](http://www.southwiretools.com).

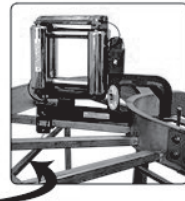
## DESCRIPTION OF OPERATION

The HB1A-9 Universal Cable Tray Roller guides are designed to quickly and easily clamp-on to most cable trays and hinge open and close to allow cable to pass through while guiding wire along the cable tray and reducing pulling tensions during a cable pull. Multiple configurations based on additional mounting platforms.

### Using the Side Tray Clamp with the Foot

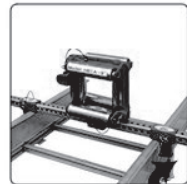


Using the Side-tray Clamp the HB1A-9 can be set-up with the heavy-duty Force Rollers at the top and bottom or on the sides

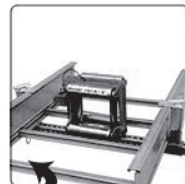


OR

### Using Cross-bar with standard End Tray Clamps

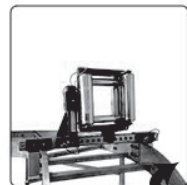


HB1A-9 can be mounted above the cable tray or inside the cable tray using a standard cross-bar and end tray clamps



OR

### Using the 90 degree Bracket with the Cross-bar



Using the optional 90 degree bracket with the cross-bar, the HB1A-9 can be mounted with the Force Rollers on the sides above or inside the cable tray



OR

### Using the HBFB Extension with the Cross-bar

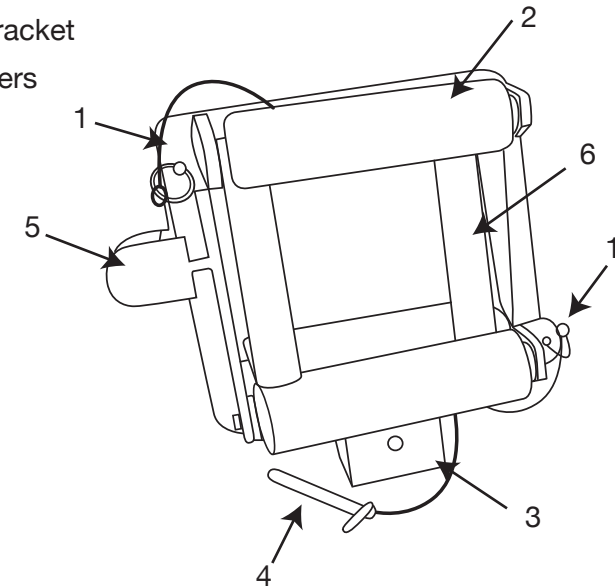


Using the optional HBFB extension with the standard cross-bar, the HB1A-9 can be extended above the cable tray

## IDENTIFICATION

### HB1A-9

1. Roller Locking Pin
2. Heavy Duty Tray Rollers
3. Mounting Bracket
4. Mounting Bracket Locking Pin
5. Tray Support Bracket
6. Side Guide Rollers



## SETUP AND OPERATION

### HB1A-9 VERSIONS

#### HB1A-9STC

1. The HB1A-9 Side-Tray Clamp version can be clamped to the side wall of the cable tray. This is useful for guiding cable through bends or risers - Attach Foot to horizontal bar of cable tray to secure in place.
2. Loosen "T" handle clamp on the base of the cable tray roller and install onto side rail of cable tray.
3. Ensure Tray Support Bracket (5) is installed over horizontal bar of cable tray and pin into place.
4. Tighten "T" handle clamp ensuring there is no obstruction on the inside of the cable tray.

## ***SETUP AND OPERATION***

---

### **HB1A-9X48**

1. The HB1A-9X48 Cross-bar version can be used to mount the unit above or inside the cable tray. Useful for guiding cable through bends and risers.
2. Pull pins on side tray clamps and slide to the ends of the 48" cross-bar. Loosen "T" handles on side tray clamps to expand clamps. Place cross-bars above or below the cable tray and slide side cable tray clamps against the outside of the cable tray. Insert pins into cable tray clamps to lock into place. Tighten "T" handles on cable tray clamps to secure into place.
3. If not already installed, install HB1A-9 onto 48" cross bar and pin into place with supplied pin.

### **HB3AX48**

1. The HB3AX48 Cross-bar with Side Tray Clamps is used with the HB1A-9 to mount the unit above or inside the cable tray. Set up with the 90-degree bracket attachment, the unit can be mounted with the heavy-duty force rollers on the sides. Useful for guiding cable through bends and risers.
2. Pull pins on side tray clamps and slide to the ends of the 48" cross-bar. Loosen "T" handles on side tray clamps to expand clamps. Place cross-bars above or below the cable tray and slide side cable tray clamps against the outside of the cable tray. Insert pins into cable tray clamps to lock into place. Tighten "T" handles on cable tray clamps to secure into place.

### **HBFB-EXT**

1. With the use of the HBFB-EXT Extension Clamps mounted to the cross-bar, the HB1A-9X48 Cross-bar with HBFB Extension Clamps can be extended from above the cable tray. This is useful for guiding cable through cable tray and allows for cable to be dropped directly into tray by opening the HB1A-9 when the cable is in place.
2. Remove standard side tray clamps and install HBFB-EXT side tray clamps extensions to 48" cross-bar.
3. Pull pins on side tray clamps and slide to the ends of the 48" cross-bar. Loosen "T" handles on side tray clamps to expand clamps. Place cross-bars above the cable tray and slide side cable

## ***SETUP AND OPERATION***

---

tray clamps against the outside of the cable tray. Insert pins into cable tray clamps to lock into place. Tighten "T" handles on cable tray clamps to secure into place.

4. Install HB1A-9 to desired location and pin into place with supplied pin.

### **HB-90**

1. With the use of the HB-90, 90 Degree Mount Bracket mounted to the cross-bar, the HB3AX48 Cross-bar with HB-90 can be used to support the HB1A-9 from above the cross-bar. This is useful for guiding cable through cable tray and allows for cable to be dropped directly into tray by opening the HB1A-9 when the cable is in place.
2. Pull pins on side tray clamps and slide the side tray clamp off 48" cross-bar. Install HB-90 onto the 48" cross-bar and pin into position. Install side tray clamp onto the 48" cross-bar to expand clamps. Place cross-bars above the cable tray and slide side cable tray clamps against the outside of the cable tray. Insert pins into cable tray clamps to lock into place. Tighten "T" handles on cable tray clamps to secure into place. Attach HB1A-9 to HB-90 and secure with pin.

## ***INSPECTION***

---

1. Inspect all castings for cracks, replace if damaged.
2. Inspect all rollers for damage, replace if damaged.
3. Inspect securing clamp hardware for damage, replace if damaged.
4. For parts, contact Southwire Tools and Equipment at 1.855.SW.Tools

***SPECIFICATIONS***

---

- Model# HB1A-9
- Stock # 65-09-51-01
- Length- 12.55 Inches
- Width- 6.85 Inches
- Height- 11.50 Inches
- Weight- 14.10 lbs.

- Model# HB1A-9STC
- Stock # 65-10-33-01
- Length- 18.80 Inches
- Width- 6.80 Inches
- Height- 15.30 Inches
- Weight- 22 lbs.

- Model# HB1A-9X48
- Stock # 65-10-35-01
- Length- 14.20 Inches
- Width- 3.20 Inches
- Height- 12.40 Inches
- Weight- 27.10 lbs.

- Model# HB3AX48
- Stock # 65-09-54-01
- Length- 48 Inches
- Width- 2 Inches
- Height- 7.25 Inches
- Weight- 13.00 lbs.

***SPECIFICATIONS***

---

- Model# HBFB-EXT
- Stock # 65-09-53-01
- Length- 17.75 Inches
- Width- 1.75 Inches
- Height- 6.00 Inches
- Weight- 6.90 lbs.

- Model# HB-90
- Stock # 65-09-56-01
- Length- 3.75 Inches
- Width- 1.75 Inches
- Height- 9.75 Inches
- Weight- 2 lbs.

## **WARRANTY ON SOUTHWIRE CONTRACTOR EQUIPMENT**

### **What Does This Warranty Cover?**

#### **Five-Year Limited Warranty on Contractor Equipment**

Under Southwire's Contractor Equipment 5-Year Limited Warranty, Southwire Company, LLC warrants that all Southwire Contractor Equipment will be free from manufacturer defects for a period of five (5) years from the date of the original end user's purchase. However, electrical components and consumable parts such as ropes, blades, dies, draw studs, grips, are excluded from this 5-Year Limited Warranty and are subject to the One -Year warranty terms. Under this 5-Year Limited Warranty, the following are also excluded and Southwire Company, LLC will have no liability for any of the following: normal wear and tear resulting from product use and damage arising out of misuse, abuse, modification, and improper product maintenance. This warranty also does not cover Southwire Contractor Equipment products that have been modified by any party other than Southwire Company, LLC or its authorized third party designee. This 5-Year Limited Warranty is not transferrable to or enforceable by any person other than the product's original end user.

#### **One-Year Limited Warranty on Electrical Components and Consumable Parts (with 5-Year warranty)**

Under Southwire's 1-Year Limited Warranty, Southwire Company, LLC warrants that all electrical components and consumable parts such as ropes, blades, dies, draw studs, grips will be free from manufacturer defects for a period of one-year from the date of the original end user's purchase. Under this 1-Year Limited Warranty, Southwire Company, LLC will have no liability for any of the following: normal wear and tear resulting from product use and damage arising out of misuse, abuse, modification, and improper product maintenance. This warranty also does not cover Southwire electrical components and consumable parts that have been modified by any party other than Southwire Company, LLC or its authorized third party designee. This 1-Year Limited Warranty is not transferrable to or enforceable by any person other than the product's original end user.

#### **Exclusion of Incidental, Consequential, Indirect, Special and Punitive Damages**

SOUTHWIRE MAKES NO WARRANTY THAT SOUTHWIRE CONTRACTOR EQUIPMENT PRODUCTS WILL BE MERCHANTABLE OR FIT FOR ANY PARTICULAR PURPOSE. SOUTHWIRE MAKES NO OTHER WARRANTY, EXPRESSED OR IMPLIED, OTHER THAN THE RELEVANT WARRANTY SPECIFICALLY SET FORTH IN THIS WARRANTY SECTION. SOUTHWIRE WILL NOT BE LIABLE FOR ANY INCIDENTAL, CONSEQUENTIAL, INDIRECT, SPECIAL, OR PUNITIVE DAMAGES FOR ANY BREACH OF THIS LIMITED LIFETIME WARRANTY.

*Some states do not allow the exclusion or limitation of incidental or consequential damages, so the above limitation or exclusion may not apply to you.*

### **Warranty Claim Information/How Do You Get Service?**

For all warranty, customer service, and product return authorizations and inquiries, please contact Southwire's Tools & Assembled Products at:  
Southwire Tools & Assembled Products  
840 Old Bremen Road  
Carrollton, GA, 30117  
Phone Number: 1.855.SW.Tools

1. All warranty claims must be approved by Southwire's Tools & Assembled Products Warranty Department prior to return of product. If Southwire determines that a product is defective, Southwire will, at its option, repair or replace defective products or defective product components, free of charge.
2. Upon approval, Southwire will issue a Product Return Authorization Form which will include instructions on how and where to return the product. **The product serial number and the original date of delivery must be set forth on the Product Return Authorization Form.**
3. Southwire will cover standard freight charges (Ground Courier Rate) incurred in connection with products that Southwire ultimately determines to be defective.
4. All defective components and defective products that Southwire replaces under these Warranties will become Southwire's property and will be retained by Southwire.

### **Repair Your Product When it is Out of Warranty**

Southwire is happy to provide information about where a purchaser can send a product for repair at consumers' own expense, please contact 1.855.SW.tools or visit [www.southwiretools.com/tools/home.do](http://www.southwiretools.com/tools/home.do) for more information about servicing for Southwire Products.



***southwiretools.com***



**1-855-SW-TOOLS**  
Toll Free Technical Help

Product distributed by  
Southwire Company, LLC.  
One Southwire Drive, Carrollton, GA 30119

© 2019 Southwire Company, LLC.  
All rights reserved.

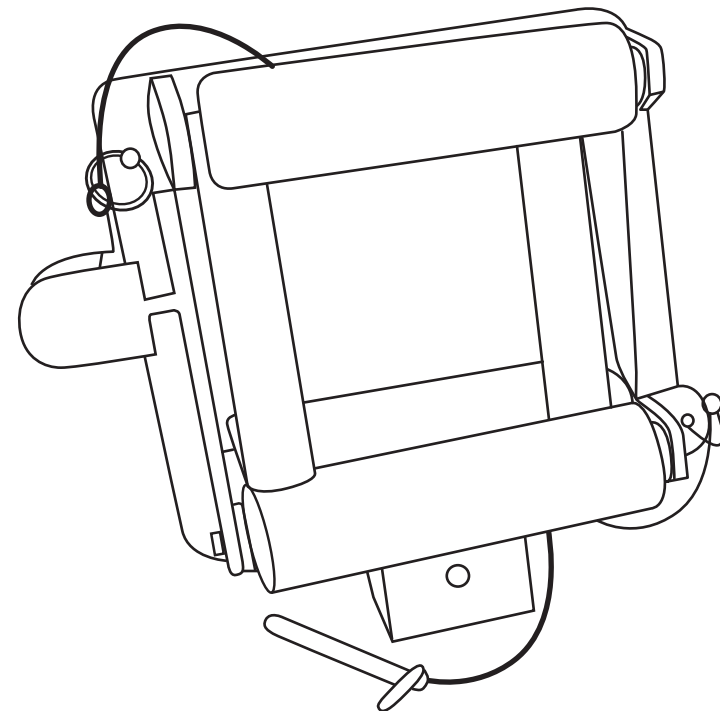
02/19  
(HB1A-9) Manual



**Southwire™**

TOOLS & EQUIPMENT

**MODE D'EMPLOI  
GALET UNIVERSEL POUR CHEMIN  
DE CÂBLES  
(HB1A-9)**



**LISEZ ET COMPRENEZ TOUTES LES  
INSTRUCTIONS ET LES CONSIGNES DE  
SÉCURITÉ CONTENUES DANS CE MANUEL  
AVANT D'UTILISER OU D'ENTREtenir CET OUTIL**





## TABLE DES MATIÈRES

Informations importantes sur la sécurité.....	2-4
Description du fonctionnement.....	5
Identification.....	6
Mise en place et fonctionnement.....	6-8
Inspection.....	8
Spécifications.....	9-10
Garantie.....	11-12

## LA SÉCURITÉ AVANT TOUT

---

La sécurité est essentielle dans l'utilisation et l'entretien des équipements d'entrepreneur de Southwire. Ce manuel d'instructions ainsi que toutes les indications sur l'outil offrent des informations pour éviter les dangers et les pratiques dangereuses liés à l'utilisation de ce dernier. Respectez toutes les consignes de sécurité fournies.

## SYMBOLES D'ALERTE DE SÉCURITÉ

---

Ces symboles sont utilisés pour attirer l'attention sur les dangers ou les pratiques dangereuses qui pourraient entraîner des blessures ou des dommages matériels. Les trois mots de sécurité définis ci-dessous indiquent la gravité du danger. Le message qui suit la mention d'avertissement fournit des informations pour prévenir ou éviter le danger.



**DANGER** - Risques immédiats qui s'ils ne sont pas évités ENTRAÎNERONT À COUP SÛR des blessures sévères ou la mort



**MISE EN GARDE** - Risques qui s'ils ne sont pas évités POURRAIT entraîner des blessures sévères ou la mort



**PRÉCAUTIONS** - Risques ou pratiques non sécuritaires qui s'ils ne sont pas évités POURRAIENT entraîner des blessures sévères ou la mort

## INFORMATONS IMPORTANTES SUR LA SÉCURITÉ

### AVERTISSEMENT



- Lisez et comprenez toutes les instructions et informations de sécurité contenues dans ce manuel avant d'utiliser ou d'entretenir cet outil.

**LE NON-RESPECT DE CES AVERTISSEMENTS PEUT ENTRAÎNER DES BLESSURES GRAVES OU LA MORT**

### AVERTISSEMENT: Dangers pour la sécurité personnelle



- Seules les personnes qualifiées doivent utiliser le galet universel pour chemin de câbles HB1A-9.
- Portez des lunettes de protection, un casque de protection, des gants résistants aux coupures et des chaussons de sécurité lors de l'utilisation de cet outil.
- Veillez à ne pas utiliser l'outil lorsque vous êtes fatigué ou sous l'influence de drogues, d'alcool ou de médicaments.
- Tenez les parties du corps et les vêtements amples éloignés des pièces mobiles.
- Suivez toujours les consignes de sécurité telles qu'elles sont indiquées dans ce manuel.

**LE NON-RESPECT DE CES AVERTISSEMENTS PEUT ENTRAÎNER DES BLESSURES GRAVES OU LA MORT**

### DANGER: Risques de chocs électriques



- Cet outil n'est pas isolé, le contact avec des circuits sous tension peut entraîner des blessures graves ou la mort.

## INFORMATONS IMPORTANTES SUR LA SÉCURITÉ

**LE NON-RESPECT DE CES AVERTISSEMENTS PEUT ENTRAÎNER DES BLESSURES GRAVES OU LA MORT**

### AVERTISSEMENT: Risque d'enchevêtrement

- N'utilisez pas cet outil lorsque vous portez des vêtements amples. Retenez vos cheveux longs.

**LE NON-RESPECT DE CES AVERTISSEMENTS PEUT ENTRAÎNER DES BLESSURES GRAVES OU LA MORT**

### AVERTISSEMENT: Dangers liés à l'utilisation de l'outil

- Utilisez cet outil uniquement pour l'usage prévu par le fabricant. Toute utilisation autre que celle décrite dans ce manuel peut entraîner des blessures ou des dommages matériels.
- Seul un personnel qualifié est autorisé à utiliser le galet universel de chemins de câbles HB1A-9.

**LE NON-RESPECT DE CES AVERTISSEMENTS PEUT ENTRAÎNER DES BLESSURES GRAVES OU LA MORT**

### ATTENTION

- Lisez et comprenez toutes les instructions et informations de sécurité contenues dans ce manuel avant d'utiliser ou d'entretenir cet outil.

**LE NON-RESPECT DE CES MISES EN GARDE PEUT ENTRAÎNER DES BLESSURES OU DES DÉGÂTS MATÉRIELS**

### ATTENTION

- Veillez à ne pas utiliser cet outil si des pièces sont endommagées, car cela peut entraîner des conditions dangereuses et conduire à un dysfonctionnement ou une défaillance de l'outil.
- Si l'outil est en mauvais état, **NE L'UTILISEZ PAS**. Faire inspecter et réparer l'outil avant de l'utiliser.

**LE NON-RESPECT DE CES MISES EN GARDE PEUT ENTRAÎNER DES BLESSURES OU DES DÉGÂTS MATÉRIELS**

## Objet de ce manuel

Ce manuel a pour but d'amener tous les membres du personnel à se familiariser avec l'installation et l'utilisation en toute sécurité des outils et équipements Southwire suivants : Galet universel pour chemins de câbles HB1A-9.

Maintenir ce manuel disponible à tous les membres d'un personnel. Des manuels de remplacement sont offerts gratuitement sur demande à [www.southwiretools.com](http://www.southwiretools.com).

## Description du fonctionnement

Using the Side Tray Clamp with the Foot



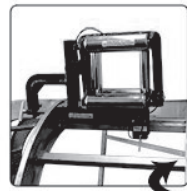
Using Cross-bar with standard End Tray Clamps



Using the 90 degree Bracket with the Cross-bar



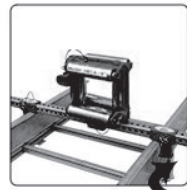
Using the HBF Extension with the Cross-bar



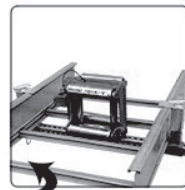
Using the Side-tray Clamp the HB1A-9 can be set-up with the heavy-duty Force Rollers at the top and bottom or on the sides



OR



HB1A-9 can be mounted above the cable tray or inside the cable tray using a standard cross-bar and end tray clamps



OR



Using the optional 90 degree bracket with the cross-bar, the HB1A-9 can be mounted with the Force Rollers on the sides above or inside the cable tray



OR

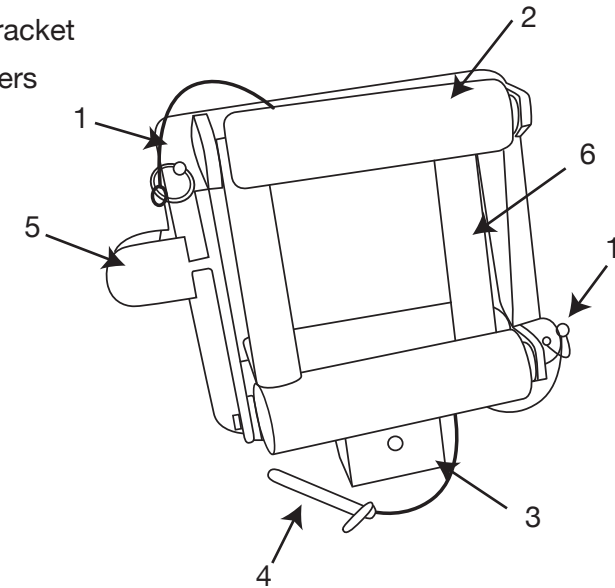


Using the optional HBF extension with the standard cross-bar, the HB1A-9 can be extended above the cable tray

## IDENTIFICATION

HB1A-9

1. Roller Locking Pin
2. Heavy Duty Tray Rollers
3. Mounting Bracket
4. Mounting Bracket Locking Pin
5. Tray Support Bracket
6. Side Guide Rollers



## MISE EN PLACE ET FONCTIONNEMENT

### VERSIONS DE HB1A-9

#### HB1A-9STC

1. La version HB1A-9 Side-Tray Clamp peut être fixée sur la paroi latérale du chemin de câbles. Cela permettra de guider le câble à travers les coudes ou les colonnes montantes – reliez le pied à la barre horizontale du chemin de câbles pour le fixer en place.
2. Desserrez le serrage de poignée en « T » (6) à la base du galet de chemin de câbles et installez-la sur le rail latéral du chemin de câbles.
3. Veillez à ce que la patte de support du plateau (5) soit installée sur la barre horizontale du chemin de câbles et goupillée en place.
4. Serrez le serrage de poignée en « T » (6) en veillant à ce qu'il n'y ait pas d'obstruction à l'intérieur du chemin de câbles.

## **MISE EN PLACE ET FONCTIONNEMENT**

### **HB1A-9X48**

1. La version HB1A-9X48 à barres transversales peut être utilisée pour monter l'appareil au-dessus ou à l'intérieur du chemin de câbles. Monté avec le support de fixation à 90 degrés, l'appareil peut être monté avec les rouleaux de force robustes sur les côtés. Utile pour guider le câble à travers les coudes et les colonnes montantes.

2. Tirez les goupilles sur les serrages des plateaux latéraux et faites-les glisser jusqu'aux extrémités de la barre transversale de 121,92 cm. Desserrez les poignées en « T » sur les serrages des plateaux latéraux pour les étendre. Placez des barres transversales au-dessus ou au-dessous du chemin de câbles et faites glisser les serrages des plateaux latéraux du chemin de câbles contre l'extérieur du chemin de câbles. Insérez les goupilles dans les serrages de chemins de câbles pour les fixer en place. Serrez les poignées en « T » sur les serrages des chemins de câbles pour les fixer en place.

3. Si ce n'est pas déjà fait, installez le HB1A-9 sur une barre transversale de 121,92 cm et goupillez-le en place avec la goupille fournie.

### **HB3AX48**

1. La barre transversale HB3AX48 avec serrages pour plateaux latéraux est utilisée avec le HB1A-9 pour monter l'appareil au-dessus ou à l'intérieur du chemin de câbles. Monté avec le support de fixation à 90 degrés, l'appareil peut être monté avec les rouleaux de force robustes sur les côtés. Utile pour guider le câble à travers les coudes et les colonnes montantes.

2. Tirez les goupilles sur les serrages des plateaux latéraux et faites-les glisser jusqu'aux extrémités de la barre transversale de 121,92 cm. Desserrez les poignées en « T » sur les serrages des plateaux latéraux pour les étendre. Placez des barres transversales au-dessus ou au-dessous du chemin de câbles et faites glisser les serrages des plateaux latéraux du chemin de câbles contre l'extérieur du chemin de câbles. Insérez les goupilles dans les serrages de chemins de câbles pour les fixer en place. Serrez les poignées en « T » sur les serrages des chemins de câbles pour les fixer en place.

## **MISE EN PLACE ET FONCTIONNEMENT**

### **HBFB-EXT**

1. Avec l'utilisation des serrages d'extension HBFB-EXT montés sur la barre transversale, la barre transversale HB1A-9X48 avec les serrages d'extension HBFB peut être rallongée à partie du haut du chemin de câbles. Ceci est utile pour guider le câble à travers le chemin de câbles et permet de faire tomber le câble directement dans le chemin de câbles en ouvrant le HB1A-9 lorsque le câble est en place.

2. Retirez les serrages pour plateaux latéraux standard et installez les rallonges des serrages pour plateaux latéraux HBFB-EXT à une barre transversale de 121,92 cm.

3. Tirez les goupilles sur les serrages des plateaux latéraux et faites-les glisser jusqu'aux extrémités de la barre transversale de 121,92 cm. Desserrez les poignées en « T » sur les serrages des plateaux latéraux pour les étendre. Placez des barres transversales au-dessus du chemin de câbles et faites glisser les serrages du chemin de câbles latéral contre l'extérieur du chemin de câbles. Insérez les goupilles dans les serrages de chemin de câble pour les fixer en place. Serrez les poignées en « T » sur les serrages des chemins de câbles pour les fixer en place.

4. Installez le HB1A-9 à l'endroit désiré et fixez-le à l'aide de la goupille fournie.

### **HB-90**

1. Avec l'utilisation du support de montage à 90 degrés HB-90 monté sur la barre transversale, la barre transversale HB3AX48 avec HB-90 peut être utilisée pour supporter le HB1A-9 par-dessus la barre transversale. Ceci est utile pour guider le câble à travers le chemin de câbles et permet de faire tomber le câble directement dans le chemin de câbles en ouvrant le HB1A-9 lorsque le câble est en place.

2. Tirez les goupilles sur les serrages des plateaux latéraux et faites glisser le serrage pour plateau latéral pour le retirer de la barre transversale de 121,92 cm. Installez le HB-90 sur la barre transversale de 121,92 cm et fixez-le en place. Installez le serrage pour plateau latéral sur la barre transversale de 121,92 cm pour l'étendre. Placez des barres transversales au-dessus du chemin de câbles et faites glisser les pinces latérales du chemin de câbles contre l'extérieur du chemin de câbles. Insérez les goupilles dans les serrages pour chemins de câbles pour les fixer en place. Serrez les poignées en « T » sur les serrages pour chemins de câbles pour les fixer en place. Fixez le HB1A-9 au HB-90 et sécurisez cela avec une goupille.

## ***INSPECTION***

---

1. Inspectez toutes les pièces moulées à la recherche de fissures et remplacez-les si elles sont endommagées.
2. Inspectez tous les galets pour vérifier qu'ils ne sont pas endommagés et remplacez-les s'ils sont endommagés.
3. Inspectez la structure du serrage de fixation pour vérifier qu'elle n'est pas endommagée et remplacez-la si elle l'est.
4. Pour les pièces, contactez Southwire Tools and Equipment au 1.855.SW.Tools

## ***SPÉCIFICATIONS***

---

- Modèle N° HB1A-9
  - Stock N° 65-09-51-01
  - Longueur – 30,48 cm
  - Largeur – 15,24 cm
  - Hauteur – 27,94 cm
  - Poids – 5,89 kg
- 
- Modèle N° HB1A-9STC
  - Stock N° 65-10-33-01
  - Longueur – 35,56 cm
  - Largeur – 7,62 cm
  - Hauteur – 30,48 cm
  - Poids – 5,44 kg
- 
- Modèle N° HB1A-9X48
  - Stock N° 65-10-35-01
  - Longueur – 35,56 cm
  - Largeur – 7,62 cm
  - Hauteur – 30,48 cm
  - Poids – 5,44 kg

## ***SPÉCIFICATIONS***

---

- Modèle N° HB3AX48
  - Stock N° 65-09-54-01
  - Longueur – 121,92 cm
  - Largeur – 5,08 cm
  - Hauteur – 17,78 cm
  - Poids – 5,44 kg
- 
- Modèle N° HBFB-EXT
  - Stock N° 65-09-53-01
  - Longueur – 43,18 cm
  - Largeur – 2,54 cm
  - Hauteur – 15,24 cm
  - Poids – 2,72 kg
- 
- Modèle N° HB-90
  - Stock N° 65-09-56-01
  - Longueur – 7,62 cm
  - Largeur – 2,54 cm
  - Hauteur – 22,86 cm
  - Poids – 0,90 kg

## **GARANTIE SUR L'ÉQUIPEMENT D'ENTREPRENEUR DE SOUTHWIRE**

### **Que couvre cette garantie?**

#### **Garantie limitée de cinq ans sur l'équipement d'entrepreneur**

En vertu de la garantie limitée de cinq ans de Southwire par rapport à l'équipement d'entrepreneur, Southwire Company, SARL garantit que tout l'équipement d'entrepreneur de Southwire sera exempt de défauts de fabrication pour une période de cinq (5) ans à compter de la date d'achat de l'utilisateur final original. Cependant, les composants électriques et les pièces consommables tels que les câbles, les lames, les matrices, les goujons d'étirage, les poignées, sont exclus de cette garantie limitée de cinq ans et sont assujettis aux modalités de la garantie d'un an. En vertu de cette garantie limitée de cinq ans, les éléments suivants sont également exclus, et Southwire Company, SARL n'assumera aucune responsabilité concernant les éléments suivants : usure normale résultant de l'utilisation du produit et dommages résultant d'une mauvaise utilisation, abus, modification et entretien incorrect du produit. Cette garantie ne couvre pas non plus les produits d'équipement d'entrepreneur de Southwire qui ont été modifiés par une partie autre que Southwire Company, SARL ou son tiers désigné autorisé. Cette garantie limitée de cinq ans n'est pas transférable ou applicable par toute personne autre que l'utilisateur final original du produit.

#### **Garantie limitée d'un an sur les composants électriques et les pièces consommables (avec cinq ans de garantie)**

En vertu de la garantie limitée d'un an de Southwire, Southwire Company, SARL garantit que tous les composants électriques et les pièces consommables tels que les câbles, les lames, les matrices, les goujons d'étirage et les poignées seront exempts de défauts de fabrication pour une période d'un an à compter de la date de l'achat original par l'utilisateur final. Dans le cadre de cette garantie limitée d'un an, Southwire Company, SARL n'assumera aucune responsabilité concernant les éléments suivants : usure normale résultant de l'utilisation du produit et dommages résultant d'une mauvaise utilisation, abus, modification et entretien incorrect du produit. Cette garantie ne couvre pas non plus les composants électriques et les pièces consommables de Southwire qui ont été modifiés par une partie autre que Southwire Company, SARL ou son tiers désigné autorisé. Cette garantie limitée d'un an n'est pas transférable ou applicable par toute personne autre que l'utilisateur final original du produit.

#### **Exclusion des dommages-intérêts accessoires, indirects, indirects, spéciaux et punitifs**

SOUTHWIRE NE GARANTIT PAS QUE LES PRODUITS D'ÉQUIPEMENT D'ENTREPRENEUR DE SOUTHWIRE SERONT COMMERCIALISABLES OU ADAPTÉS À UN USAGE PARTICULIER. SOUTHWIRE NE DONNE AUCUNE AUTRE GARANTIE, EXPRESSE OU IMPLICITE, AUTRE QUE LA GARANTIE PERTINENTE SPÉCIFIQUEMENT ÉNONCÉE DANS CETTE SECTION DE GARANTIE. SOUTHWIRE NE SERA PAS RESPONSABLE DES DOMMAGES-INTÉRÊTS ACCESSOIRES, CONSÉCUTIFS, INDIRECTS, SPÉCIAUX OU PUNITIFS POUR TOUTE VIOLATION DE CETTE GARANTIE À VIE LIMITÉE.

*Certains États n'autorisent pas l'exclusion ou la limitation des dommages accessoires ou indirects, de sorte que la limitation ou l'exclusion ci-dessus peut ne pas s'appliquer à vous.*

### **Informations sur les réclamations au titre de la garantie/Comment obtenir le service?**

Pour toute demande concernant la garantie, le service clientèle et les autorisations de retour de produits, veuillez contacter Southwire's Tools & Assembled Products à :  
Southwire Tools & Assembled Products  
840 Old Bremen Road  
Carrollton, GA, 30117  
Numéro de téléphone : 1.855.SW.Tools

1. Toutes les revendications de garantie doivent être approuvées par le département de garantie de Southwire's Tools & Assembled Products avant le retour du produit. Si Southwire détermine qu'un produit est défectueux, Southwire réparera ou remplacera, à sa discrétion, le produit ou les composants défectueux, sans frais.
2. Après approbation, Southwire émettra un formulaire d'autorisation de retour de produit qui inclura des instructions concernant comment et où retourner le produit. **Le numéro de série du produit et la date de livraison initiale doivent être indiqués sur le formulaire d'autorisation de retour de produit.**
3. Southwire couvrira les frais de transport standard (tarif de messagerie terrestre) encourus en relation avec les produits que Southwire détermine finalement comme étant défectueux.
4. Tous les composants et produits défectueux que Southwire remplace dans le cadre de ces Garanties deviendront la propriété de Southwire et seront conservés par Southwire.

### **Réparez votre produit lorsqu'il est hors garantie**

Southwire est heureux de fournir des informations sur l'endroit où un acheteur peut envoyer un produit pour réparation à ses propres frais. Veuillez contacter 1.855.SW.tools ou visiter [www.southwiretools.com/tools/home.do](http://www.southwiretools.com/tools/home.do) pour plus d'informations sur l'entretien des produits Southwire.



***southwiretools.com***



**1-855-SW-TOOLS**  
Toll Free Technical Help

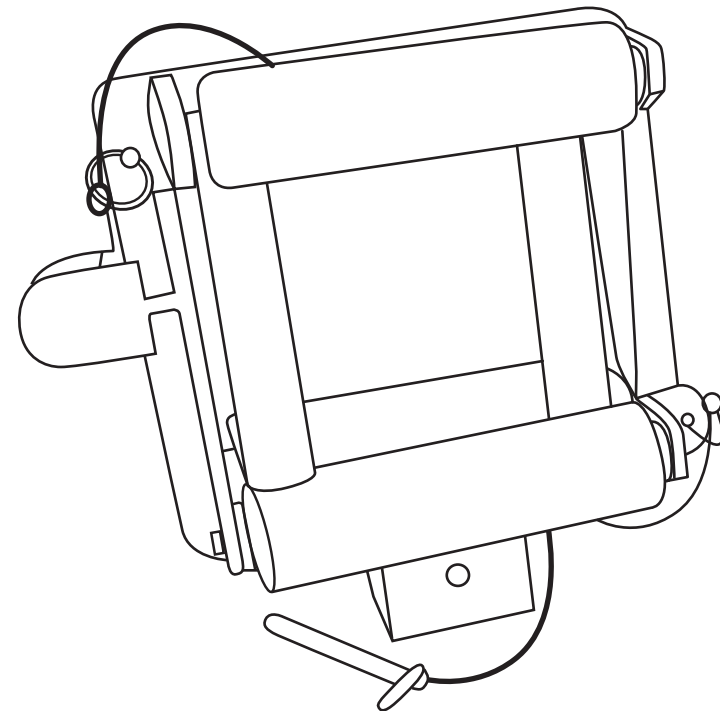
Product distributed by  
Southwire Company, LLC.  
One Southwire Drive, Carrollton, GA 30119  
© 2019 Southwire Company, LLC.  
All rights reserved.  
02/19  
(HB1A-9) Manual



**Southwire™**

TOOLS & EQUIPMENT

**INSTRUCCIONES DE USO  
RODILLO DE BANDEJA PARA  
CABLES UNIVERSAL  
(HB1A-9)**



**Y COMPRENDA TODAS LAS INSTRUCCIONES Y  
ADVERTENCIAS DE SEGURIDAD EN ESTE  
MANUAL ANTES DE MANEJAR O DAR  
MANTENIMIENTO A ESTA HERRAMIENTA**



## ÍNDICE

Información importante de seguridad.....	2-4
Descripción del funcionamiento.....	5
Descripción.....	6
Instalación y funcionamiento.....	6-8
Revisión.....	9
Especificaciones.....	9-10
Garantía.....	11-12

## LA SEGURIDAD PRIMERO

---

La seguridad es importante en el uso y mantenimiento de herramientas para contratistas de Southwire. Este manual de instrucciones y cualquier marca de la herramienta le brinda la información necesaria para evitar los riesgos y las prácticas peligrosas relacionadas con el uso de esta herramienta. Tenga en cuenta todas las indicaciones de seguridad.

### SÍMBOLOS DE ALERTAS DE SEGURIDAD

---

Estos símbolos se utilizan para avisar sobre los riesgos o prácticas peligrosas que podrían resultar en lesiones o daños materiales. Las tres palabras de seguridad que se definen a continuación indican la gravedad del peligro. El mensaje después de la palabra indicada brinda información para prevenir o evitar el peligro.



**PELIGRO** - Riesgos inmediatos que, de no evitarse, PROVOCARÁN lesiones graves o la muerte



**ADVERTENCIA** - Riesgos que, de no evitarse, PUEDEN provocar lesiones graves o la muerte



**PRECAUCIÓN** - Riesgos o prácticas inseguras que, de no evitarse, PODRÍAN provocar lesiones graves o la muerte



## INFORMACIÓN DE SEGURIDAD IMPORTANTE

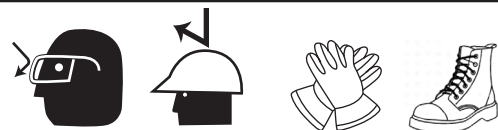
### **ADVERTENCIA**



- Lea y comprenda todas las instrucciones y advertencias de seguridad en este manual antes de manejar o dar mantenimiento a esta herramienta.

**DE NO CUMPLIR CON ESTAS ADVERTENCIAS PUEDE RESULTAR EN LESIONES GRAVES O LA MUERTE.**

### **ADVERTENCIA:** Riesgos de seguridad personal



- Solo las personas capacitadas deben usar el rodillo de bandeja para cables universal HB1A-9.
- Use gafas de seguridad, casco, guantes resistentes al corte y zapatos de seguridad al utilizar esta herramienta.
- No utilice la herramienta cuando esté cansado o bajo la influencia de drogas, alcohol o medicamentos.
- Mantenga el cuerpo y la ropa lejos de las partes móviles.
- Siempre siga los procedimientos de seguridad como se indica en este manual.

**DE NO CUMPLIR CON ESTAS ADVERTENCIAS PUEDE RESULTAR EN LESIONES GRAVES O LA MUERTE.**

### **PELIGRO:** Riesgo de descarga eléctrica



- Esta no es una herramienta aislada, el contacto con circuitos con corriente puede ocasionar lesiones graves o la muerte.

**DE NO CUMPLIR CON ESTAS ADVERTENCIAS PUEDE RESULTAR EN LESIONES GRAVES O LA MUERTE.**

## INFORMACIÓN DE SEGURIDAD IMPORTANTE

### **ADVERTENCIA:** Riesgo de enredo

- No utilice esta herramienta con ropa suelta. Retenga el pelo largo.

**DE NO CUMPLIR CON ESTAS ADVERTENCIAS PUEDE RESULTAR EN LESIONES GRAVES O LA MUERTE.**

### **ADVERTENCIA:** Riesgos en el uso de la herramienta

- Utilice este producto solamente para el propósito indicado. El uso distinto al de los descritos en este manual puede causar lesiones o daños materiales.
- Sólo el personal capacitado debe usar el rodillo de bandeja para cables universal HB1A-9.

**DE NO CUMPLIR CON ESTAS ADVERTENCIAS PUEDE RESULTAR EN LESIONES GRAVES O LA MUERTE.**

### **PRECAUCIÓN**

- Lea y comprenda todas las instrucciones y advertencias de seguridad en este manual antes de manejar o dar mantenimiento a esta herramienta.

**DE NO CUMPLIR CON ESTAS PRECAUCIONES PUEDE RESULTAR EN LESIONES GRAVES O DAÑOS MATERIALES.**

### **PRECAUCIÓN**

- No usar si hay piezas dañadas, ya que esto puede causar una condición insegura y provocar el mal funcionamiento o avería de la herramienta.
- Si la herramienta está en mal estado, NO USAR. Se debe inspeccionar y reparar la herramienta antes de su uso.

**DE NO CUMPLIR CON ESTAS PRECAUCIONES PUEDE RESULTAR EN LESIONES GRAVES O DAÑOS MATERIALES.**

## La finalidad de este manual

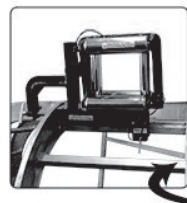
Este manual tiene como propósito familiarizar a todo el personal con la instalación y el funcionamiento seguro de las siguientes herramientas y equipos de Southwire: Rodillo de bandeja para cables universal HB1A-9.

Mantenga este manual a disposición de todo el personal. Los manuales de repuesto están disponibles bajo petición sin cargo en [www.southwiretools.com](http://www.southwiretools.com).

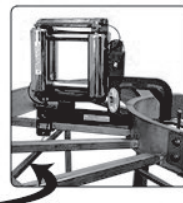
## Descripción del uso

Las guías de rodillo de bandeja para cables universal HB1A-9 están diseñados para sujetar de manera rápida y fácil la mayoría de las bandejas para cables, y la bisagra de apertura y cierre permite que el cable pase mientras lo guía a lo largo de la bandeja para cables y reducir las tensiones cuando arrastre el cable. Varias configuraciones con base en las plataformas de montaje adicionales.

### Using the Side Tray Clamp with the Foot



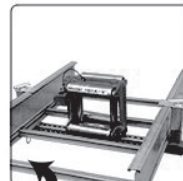
Using the Side-tray Clamp the HB1A-9 can be set-up with the heavy-duty Force Rollers at the top and bottom or on the sides



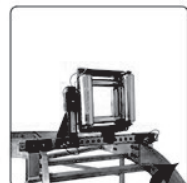
### Using Cross-bar with standard End Tray Clamps



HB1A-9 can be mounted above the cable tray or inside the cable tray using a standard cross-bar and end tray clamps



### Using the 90 degree Bracket with the Cross-bar



Using the optional 90 degree bracket with the cross-bar, the HB1A-9 can be mounted with the Force Rollers on the sides above or inside the cable tray



### Using the HBFB Extension with the Cross-bar



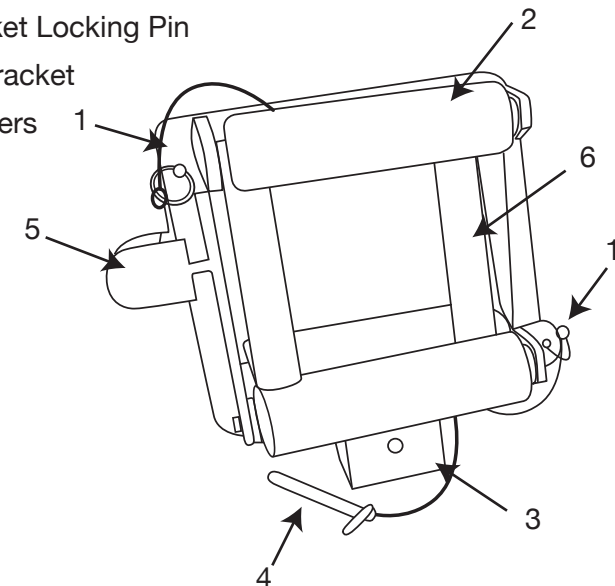
Using the optional HBFB extension with the standard cross-bar, the HB1A-9 can be extended above the cable tray

5

## DESCRIPCIÓN

HB1A-9

1. Roller Locking Pin
2. Heavy Duty Tray Rollers
3. Mounting Bracket
4. Mounting Bracket Locking Pin
5. Tray Support Bracket
6. Side Guide Rollers



## INSTALACIÓN Y FUNCIONAMIENTO

### Versiones de HB1A-9

#### HB1A-9STC

1. La versión HB1A-9 de abrazadera para la bandeja lateral (Side-Tray Clamp) se puede sujetar en el panel lateral de la bandeja para cables. Esto es útil para guiar el cable por curvas o elevaciones - fije los soportes a la barra horizontal de la bandeja para cables para asegurar que esté en su lugar
2. Afloje el mango de la abrazadera "T" (6) en la base del rodillo de bandeja para cables e instale en la barra lateral de la bandeja para cables.
3. Asegúrese de que el soporte angular (5) de la bandeja esté instalado sobre la barra horizontal de la bandeja para cables y asegure en su lugar.
4. Apriete el mango de la abrazadera "T" (6) asegurando que no haya alguna obstrucción en el interior de la bandeja para cables.

6

## **INSTALACIÓN Y FUNCIONAMIENTO**

### **HB1A-9X48**

1. La barra transversal versión HB1A-9X48 se puede usar para montar la unidad por encima o dentro de la bandeja para cables. Instale con el accesorio de soporte de 90 grados, la unidad se puede montar con los rodillos de gran resistencia en los lados. Útil para guiar el cable por curvas y elevaciones.
2. Tire de los seguros en las abrazaderas para la bandeja lateral y deslice a los extremos de la barra transversal de 48 pulgadas. Afloje los mangos "T" de las abrazaderas para la bandeja lateral para expandir las abrazaderas. Coloque las barras transversales por encima o por debajo de la bandeja para cables y deslice las abrazaderas para la bandeja lateral contra el exterior de la bandeja para cables. Ponga los seguros en las abrazaderas para la bandeja para asegurar en su lugar. Apriete los mangos "T" de las abrazaderas de la bandeja para cables para fijarlo en su lugar.
3. Si no está instalado, instale el HB1A-9 en la barra transversal de 48 pulgadas y asegure su lugar con el seguro incluido.

### **HB3AX48**

1. La barra transversal HB3AX48 con abrazaderas para la bandeja lateral se utiliza con el HB1A-9 para montar la unidad por encima o dentro de la bandeja para cables. Instale con el accesorio de soporte de 90 grados, la unidad se puede montar con los rodillos de gran resistencia en los lados. Útil para guiar el cable por curvas y elevaciones.
2. Tire de los seguros en las abrazaderas para la bandeja lateral y deslice a los extremos de la barra transversal de 48 pulgadas. Afloje los mangos "T" de las abrazaderas para la bandeja lateral para expandir las abrazaderas. Coloque las barras transversales por encima o por debajo de la bandeja para cables y deslice las abrazaderas para la bandeja lateral contra el exterior de la bandeja para cables. Ponga los seguros en las abrazaderas para la bandeja para asegurar en su lugar. Apriete los mangos "T" de las abrazaderas de la bandeja para cables para fijarlo en su lugar.

## **INSTALACIÓN Y FUNCIONAMIENTO**

### **HBFB-EXT**

1. Con el uso de las abrazaderas de extensión HBFB-EXT montados en la barra transversal, la barra transversal HB1A-9X48 con abrazaderas de extensión HBFB se puede extender por encima de la bandeja para cables. Esto es útil para guiar el cable por la bandeja para cables y permite que el cable caiga directamente en la bandeja al abrir el HB1A-9 cuando el cable está en su lugar.
2. Retire las abrazaderas para la bandeja lateral estándar e instale la bandeja lateral HBFB-EXT abrazaderas extensiones de 48" barra transversal.
3. Tire de los seguros en las abrazaderas para la bandeja lateral y deslice a los extremos de la barra transversal de 48 pulgadas. Afloje los mangos "T" de las abrazaderas para la bandeja lateral para expandir las abrazaderas. Coloque las barras transversales por encima de la bandeja para cables y deslice las abrazaderas para la bandeja lateral contra el exterior de la bandeja para cables. Ponga los seguros en las abrazaderas para la bandeja para asegurar en su lugar. Apriete los mangos "T" de las abrazaderas de la bandeja para cables para fijarlo en su lugar.
4. Instale el HB1A-9 en la ubicación deseada y asegure en su lugar con el seguro incluido.

### **HB-90**

1. Con el uso de la HB-90, el soporte de montaje de 90 grados montado en la barra transversal, la barra transversal HB3AX48 con HB-90 se puede utilizar para apoyar la HB1A-9 desde arriba de la barra transversal. Esto es útil para guiar el cable por la bandeja para cables y permite que el cable caiga directamente en la bandeja al abrir el HB1A-9 cuando el cable está en su lugar.
2. Tire de los seguros de las abrazaderas para la bandeja lateral y deslice la abrazadera para la bandeja lateral fuera de la barra transversal de 48 pulgadas. Instale la HB-90 en la barra transversal de 48 pulgadas y asegure en su lugar. Instale la abrazadera para la bandeja lateral en la barra transversal de 48 pulgadas para expandir las abrazaderas. Coloque las barras transversales por encima de la bandeja para cables y deslice las abrazaderas para la bandeja lateral contra el exterior de la bandeja para cables. Ponga los seguros en las abrazaderas para la bandeja para asegurar en su lugar. Apriete los mangos "T" de las abrazaderas de la bandeja para cables para fijarlo en su lugar. Sujete el HB1A-9 al HB-90 y asegure con el seguro.

## **REVISIÓN**

---

1. Revise todas las piezas en busca de grietas, reemplace si están dañadas.
2. Revise todos los rodillos en busca de daños, reemplace si están dañados.
3. Revise el equipo de abrazaderas de seguridad en busca de daños, reemplace si está dañado.
4. Para las piezas, póngase en contacto con herramientas y equipos de Southwire al 1.855.SW.Tools

## **ESPECIFICACIONES**

---

- Modelo # HB1A-9
  - Suministro # 65-09-51-01
  - Longitud - 12.55 pulgadas
  - Anchura - 6.85 pulgadas
  - Altura - 11.50 pulgadas
  - Peso - 13.75 libras.
- 
- Modelo # HB1A-9STC
  - Suministro # 65-10-33-01
  - Longitud - 14.20 pulgadas
  - Anchura - 3.20 pulgadas
  - Altura - 12.40 pulgadas
  - Peso - 12.50 libras.
- 
- Modelo # HB1A-9X48
  - Suministro # 65-10-35-01
  - Longitud - 14.20 pulgadas
  - Anchura - 3.20 pulgadas
  - Altura - 12.40 pulgadas
  - Peso - 12.50 libras.

## **ESPECIFICACIONES**

---

- Modelo # HB3AX48
  - Suministro # 65-09-54-01
  - Longitud - 48 pulgadas
  - Anchura - 2 pulgadas
  - Altura - 7.25 pulgadas
  - Peso - 12.90 libras.
- 
- Modelo # HBFB-EXT
  - Suministro # 65-09-53-01
  - Longitud - 17.75 pulgadas
  - Anchura - 1.75 pulgadas
  - Altura - 6.00 pulgadas
  - Peso - 6.90 libras.
- 
- Modelo # HB-90
  - Suministro # 65-09-56-01
  - Longitud - 3.75 pulgadas
  - Anchura - 1.75 pulgadas
  - Altura - 9.75 pulgadas
  - Peso - 2 libras.

## **GARANTÍA EN HERRAMIENTAS PARA CONTRATISTAS DE SOUTHWIRE**

### **¿Qué cubre esta garantía?**

#### **Garantía limitada de cinco años en herramientas para contratistas**

En virtud de la garantía limitada de 5 años en herramientas para contratistas de Southwire, Southwire Company, LLC garantiza que todas las herramientas para contratistas de Southwire estarán libres de defectos de fabricación por un período de cinco (5) años desde la fecha de la compra original del usuario final. Sin embargo, los componentes eléctricos y piezas consumibles tales como cuerdas, cuchillas, matrices, pernos, agarres, se excluyen de esta garantía limitada de 5 años y están sujetas a los términos de garantía de un año. En virtud de esta garantía limitada de 5 años, también se excluyen los siguientes y Southwire Company, LLC no tendrá responsabilidad por cualquiera de los siguientes: desgaste y rasgado normal resultante del uso del producto y daños derivados del mal uso, maltrato, modificación y mantenimiento inadecuado del producto. Esta garantía tampoco cubre productos de herramientas para contratistas de Southwire que han sido modificados por cualquier parte que no sea Southwire Company, LLC o su representante autorizado de terceros. Esta garantía limitada de 5 años no es transferible ni aplicable por cualquier persona que no sea el usuario final original del producto.

#### **Garantía limitada de un año en los componentes eléctricos y piezas consumibles (con 5 años de garantía)**

En virtud de la garantía limitada de 1 año de Southwire, Southwire Company, LLC garantiza que todos los componentes eléctricos y piezas consumibles tales como cuerdas, cuchillas, matrices, pernos, agarres, estarán libres de defectos de fabricación por un período de un año desde la fecha de la compra original del usuario final. En virtud de esta garantía limitada de 1 año, Southwire Company, LLC no tendrá responsabilidad por cualquiera de los siguientes: desgaste y rasgado normal resultante del uso del producto y daños derivados del mal uso, maltrato, modificación y mantenimiento inadecuado del producto. Esta garantía tampoco cubre componentes eléctricos y piezas consumibles de Southwire que han sido modificados por cualquier parte que no sea Southwire Company, LLC o su representante autorizado de terceros. Esta garantía limitada de 1 años no es transferible ni aplicable por cualquier persona que no sea el usuario final original del producto.

#### **La exclusión de daños incidentales, consecuentes, indirectos, especiales y punitivos**

SOUTHWIRE NO GARANTIZA QUE LAS HERRAMIENTAS PARA CONTRATISTAS DE SOUTHWIRE SERÁN COMERCIALES NI APTOS PARA UN FIN DETERMINADO. SOUTHWIRE NO DA OTRA GARANTÍA, EXPRESA O IMPLICITA, APARTE DE LA GARANTÍA CORRESPONDIENTE ESPECIFICADA EN ESTA SECCIÓN DE GARANTÍA. SOUTHWIRE NO SERÁ RESPONSABLE DE CUALQUIER DAÑO INCIDENTAL, CONSECUENTE, INDIRECTO, ESPECIAL O PUNITIVO DE CUALQUIER VIOLACIÓN DE ESTA GARANTÍA LIMITADA DE POR VIDA.

*Algunos estados no permiten la exclusión o limitación de daños incidentales o consecuentes, por lo que la limitación o exclusión anterior puede no aplicar en su caso..*

### **Información de la reclamación de garantía / ¿Cómo obtener servicio?**

Para toda garantía, servicio al cliente y devoluciones autorizadas de productos y consultas, por favor, póngase en contacto con Southwire's Tools & Assembled Products en:  
Southwire Tools & Assembled Products  
840 Old Bremen Road  
Carrollton, GA, 30117  
Teléfono: 1.855.SW.Tools

1. Todas las reclamaciones de garantía deben ser aprobadas por el Departamento de Garantías de Southwire's Tools & Assembled Products antes de la devolución del producto. Si Southwire determina que un producto es defectuoso, Southwire, a su elección, va a reparar o reemplazar los productos defectuosos o componentes de productos defectuosos de forma gratuita.
2. Una vez aprobado, Southwire emitirá un formulario de autorización de devolución del producto que incluirá instrucciones sobre cómo y dónde enviar el producto. El número de serie del producto y la fecha original de entrega se deben establecer en el formulario de autorización de devolución del producto.
3. Southwire cubrirá los gastos de envío estándar (Tarifa de envío terrestre) incurridos en relación con los productos que Southwire, en última instancia, determina que es defectuoso.
4. Todos los componentes defectuosos y productos defectuosos que Southwire reemplaza bajo estas garantías, pasarán a ser propiedad de Southwire y serán retenidos por Southwire.

#### **Reparar el producto cuando está fuera de garantía**

Southwire se complace en ofrecer información sobre dónde un comprador puede enviar un producto para que sea reparado a cargo del propio consumidor; por favor, póngase en contacto al 1.855.SW.tools o visite [www.southwiretools.com/tools/home.do](http://www.southwiretools.com/tools/home.do) para obtener más información sobre la reparación de los productos de Southwire.